

Z513 9" SQUARE HINGED HEAVY-DUTY DRAIN



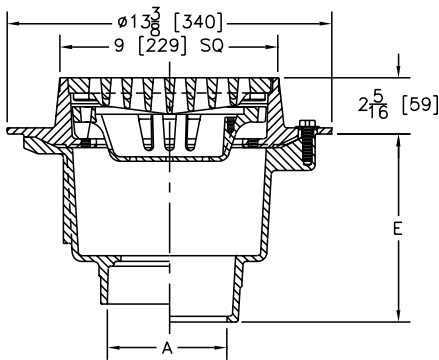
ENGINEERING SPECIFICATION

Zurn Z513 9" square top drain features Dura-Coated cast iron deep sump body with bottom outlet, seepage pan and combination membrane flashing clamp and frame for hinged, heavy-duty, slotted grate with suspended sediment bucket.

NOTES

†Add 3/16" to 2-5-/16" dimension and 3/4" to 9" dimension for ZB and ZN

A Pipe Size inch [mm]	Grate Open Area sq in [cm ²]	Approximate Weight lb [kg]
3 [76], 4 [102]	20 [129]	57 [26]



PREFIXES	DESCRIPTION	PIPE SIZE	LIST PRICE
Z513*	D.C.C.I. Body and Top	3", 4"	1,917.00
ZB513	D.C.C.I. Body Assembly with Polished Bronze Top	3", 4"	2,651.00
ZN513	D.C.C.I. Body Assembly with Polished Nickel Bronze Top	3", 4"	2,849.00

OUTLETS (SPECIFY PIPE SIZE IN INCHES AND TYPE OF OUTLET)			
OUTLET TYPE	PIPE SIZE/ OUTLET TYPE	E BODY HT. DIM.	ADD
NL	Neo-Loc	3NL, 4NL	6-5/8" N/C

SUFFIXES			ADD
-AR	Acid Resisting Epoxy Coated Cast Iron		732.00
-G	Galvanized Cast Iron		501.00
-HL	Hinged Locking Grate		314.00
-P	Trap Primer Connection		150.00
-SS	Stainless Steel Mesh Liner for Bucket		206.00
Ⓛ -TC	Neo-Loc Test Cap Gasket (3", 4" NL Bottom Outlet Only)		24.00
-VP	Vandal-Proof Secured Top		149.00

BEST SELLERS		LIST PRICE
ZN513-3NL		2,849.00
ZN513-3NL-P		2,999.00
Z513-4NL		1,917.00
ZB513-4NL-AR-HL-SS		3,903.00

Supplied By:



877-903-7246

www.commercialplumbingsupply.com

*Regularly furnished unless otherwise specified.

Items designated as Best Sellers are most specified and are generally in stock for shipment.

Ⓛ This symbol denotes a product that is engineered to reduce installation and rework time.

For additional product information, please visit www.zurn.com

INTRO ROOF DRAINS FLOOR DRAINS T, P, BW VALVES INTERCEPTORS CARRIERS HYDRANTS CLEANOUTS W/HA SS DRAINS FAB SS DRAINS SAN-FLOOR TECH INFO